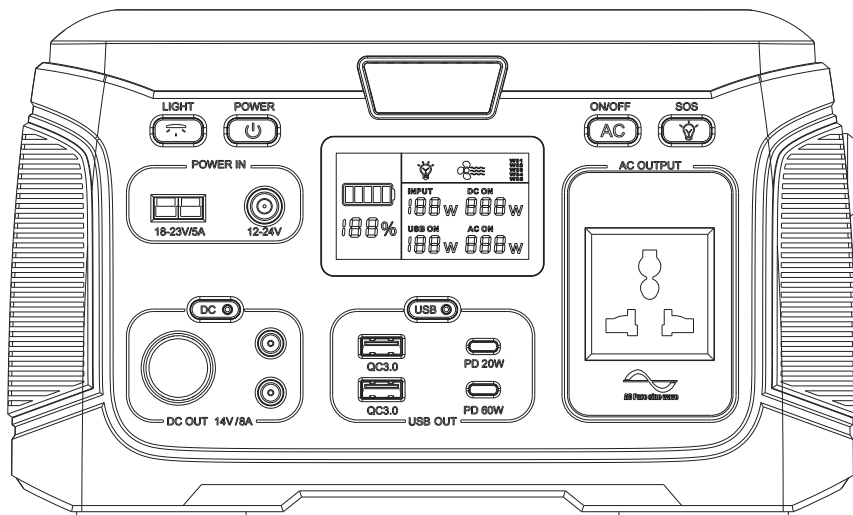


---

# PORTABLE POWER STATION

## USER MANUAL



— **J500 Mini** —

## GENERAL SPECIFICATIONS

The J500 Mini is a portable battery pack with the ability to supply 500W of pure sine wave AC power via the onboard AC output. Additionally, The J500 Mini is able to support USB quick charging via the onboard 2 x USB-PD port and 2 x USB-A ports. Overall storage capacity is 444Wh of energy.

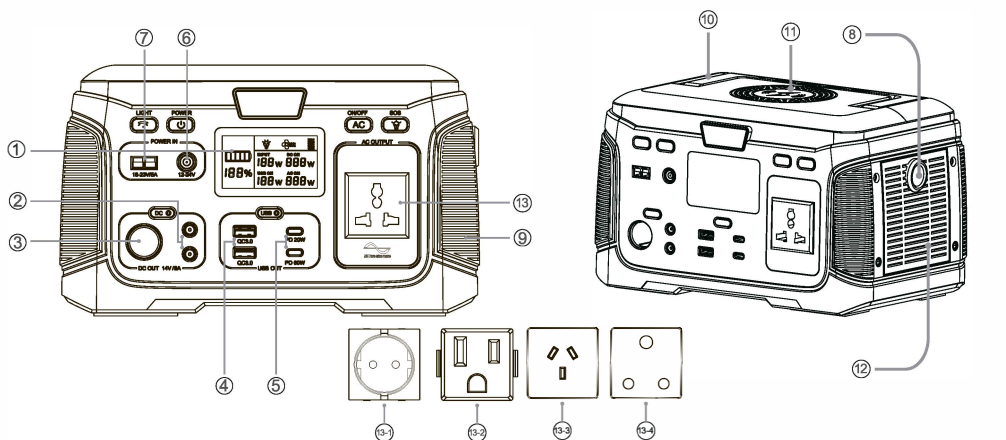
Rated / Peak Power	500/1000W
Rated Capacity	444Wh
Standard Capacity	3.7V/120000mAh
Overload Protection	540±30W
AC Output	230V±10%/50Hz
Output Wave	Pure sine Wave
USB Output	QC 18W*2
Type-C Output	PD 20W / PD 60W
Cigaret Lighter Output	12V - 16.8V / 8A
DC5525 Output	12V - 16.8V / 8A
Wireless Charging	15W
Charging Input	12-24V/80W Max
Working Temperature	-10 - 40°C
Weight (Net Weight)	4.5Kg
Weight (With Accessories)	5.5Kg
Dimension	273*171*163mm

## ▲ WARNINGS

***To ensure safe operation and service of the meter, follow these instructions. Failure to observe these warnings can result in severe injury or death.***

- **DO NOT** use J500 Mini in excess of its output rating. Overload outputs above rating may result in a risk of fire or injury to persons, even though we have built-in overload protection.
- **DO NOT** use J500 Mini or AC Wall plug power adapter, if it is damaged or has been modified. Damaged or modified batteries may exhibit unpredictable behavior resulting in fire, explosion, or risk of injury.
- **DO NOT** subject to vibration, impacts, or drops. Secure J500 Mini during transport. The housing may not show signs of damage, but internal components may have been compromised. It is advisable to replace it if any such severe events occur.
- **DO NOT** expose J500 Mini to moisture, rain, or snow.
- **DO NOT** charge, use or store J500 Mini in a bathroom or in an area exposed to rain or moisture.
- **DO NOT** leave children or the persons, who with reduced physical/sensory or mental capabilities/or lack of experience and knowledge, along with J500 Mini unless they have been given supervision or instruction concerning use of it by a person responsible for their safety.
- **DO NOT** attempt to repair J500 Mini or AC Wall plug power adapter. There are no user-serviceable components inside.
- **DO NOT** handle J500 Mini with wet hands.
- **DO NOT** place J500 Mini on its side or upside down while in use or in storage.
- If rust, odor, overheating, or other abnormal circumstance are observed, stop using and contact customer service.
- Children should be supervised to ensure that they **DO NOT** play with the J500 Mini alone.
- The J500 Mini is only used for emergency power station, it cannot replace the standard AC or DC power of household appliances or digital products.
- Keep away from high voltage electrical fields.
- Risk of fire and burns, **DO NOT** open, crush, heat above 113°F (45°C) or incinerate. Follow all instructions.
- Use of a power supply, charger, or cable not recommended or sold by portable battery manufacturer may result in a risk of fire or injury to persons.
- Should fluid from inside of J300A come in contact with your skin or clothing, wash the affected areas with tap water.
- The accessories included in the box should only be used with the J500 Mini.
- **KEEP THIS PRODUCT AWAY FROM PETS.**

## FEATURE DETAILS

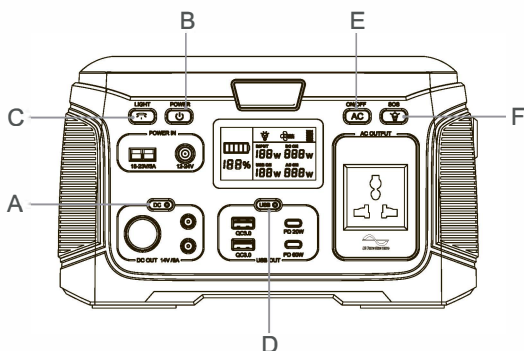


- |                            |                               |   |
|----------------------------|-------------------------------|---|
| ① LCD Screen Display       | ⑥ DC Input/Car Charging Input | ⑩ Folding Handle                              |
| ② DC Output                | ⑦ PV Input                    | ⑪ Wireless Charger                            |
| ③ Cigarette Lighter Output | ⑧ SOS MODE                    | ⑫ Air Intake Vent with Cooling Fan            |
| ④ USB-A Output             | ⑨ Anti-collision Strip        | ⑬ 300W Rated AC Outputs                       |
| ⑤ USB-PD Output            |                               | (13-1) EU (13-2) US (13-3) AU (13-4) SA pins) |

**Note: No user-serviceable parts inside.**

**Recommended to fully charge the J300 before use.**

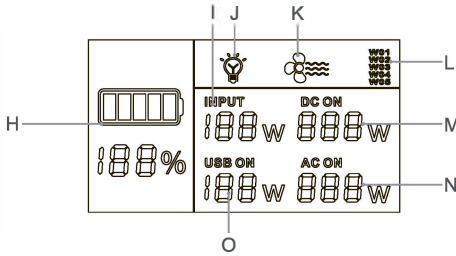
## BUTTON FEATURE



- |   |
|---|
| <b>A:</b> DC Outputs Power ON/OFF Button  |
| <b>B:</b> J500 Mini Power ON/OFF Button   |
| <b>C:</b> LED light Button                |
| <b>D:</b> USB Outputs Power ON/OFF Button |
| <b>E:</b> AC Outputs Power ON/OFF Button  |
| <b>F:</b> SOS mode                        |



## LCD FEATURES



- H: Battery Level Indicator
- I: Input Status
- J: LED ON
- K: FAN ON
- L: Error Code
- M: DC Outputs Status
- N: AC Outputs Status
- O: USB Outputs Status

## HOW TO CHARGE



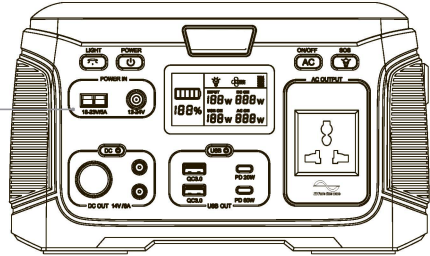
**From Solar Charger**  
120W 5-7 hours  
depending on solar conditions



**From Car Port 12V**  
5-6 hours when car running



**From Wall Charger 110V**  
5-6 hours



**⚠ DO NOT CONNECT DEVICE VIA AC OUTPUT PORT WHILE CHARGE THE J500 Mini. RECOMMEND TO DISCONNECT THE J500 Mini WHEN FULL Y CHARGED.**

## WHAT IT POWERS



Laptops (41.4Wh)  
**Around**  
10 Recharges



32" TV(60W)  
**Around**  
7 hours



CPAP without heated  
humidifier (15W)  
**Around 3 nights**



GoPro (5.9Wh)  
**Around**  
74 Recharges



Floodlight(4W)  
**Around**  
110 hours



Mini Fridge(40W)  
**Around 11 hours**



UAV(89.2Wh)  
**Around 5 Recharges**



Smartphone(10Wh)  
**Around**  
44 Recharges



Recreational Machines(16Wh)  
**Around**  
27 Recharges

**+MORE**

## FUNCTION BUTTONS

### Power ON/OFF Button B

**Button B** is the master switch. Press **Button B** to activate the button A/D/E.  
Press **Button B** to shut down the output(s) When not in use.

### SOS MODE F & LED LIGHT C

Function available no matter the **Button B** activate or not.  
First, press **Button C/F** to turn on the LED light;  
Second, click to open the flash mode;  
Third, click to open SOS mode;  
Fourth, click **Button C/F** again to turn off the LED.

### DC OUTPUTS POWER ON/OFF A

The DC output ports will **NOT** function until the appropriate **Button B & A** are both pressed to activate. Press **Button A** to shut down the output(s) When not in use.

### USB OUTPUTS POWER ON/OFF D

The USB output ports will **NOT** function until the appropriate **Button B & D** are both pressed to activate.  
Press **Button D** to shut down the output(s) when not in use.

### AC OUTPUTS POWER ON/OFF E

The AC outlets will **NOT** function until the appropriate **Button B & E** are both pressed to activate.  
Press **Button E** to shut down the output(s) when not in use.

### WIRELESS CHARGER <sup>(11)</sup>

Press **ON/OFF Button B** before charging. Press **ON/OFF Button B** to shut down the output(s) when not in use.

### COOLING FAN <sup>(12)</sup>

J50Mini utilizes an internal cooling fan to ensure the product is operating within the appropriate temperature range. J500Mini, when it experiences a higher output load, will automatically turn on the fan. During discharge, and possibly charging, the fan may operate intermittently to keep internal temperature within operating range. The fan will likely start when the AC circuit is activated to ensure proper operation.

## DETAILS DISPLAYED ON LCD

**LCD display information:** battery power, input power, AC output power, DC output power, USB output power.

- 1) After the charger is inserted into the DC charging port, the power is displayed on the left side of the screen, the running light and the power are displayed, and the screen "input" is on and the charging power is displayed;
- 2) After the DC circuit is opened, the "DC on" of the display screen lights up and displays the output power;
- 3) After the USB circuit is turned on, the "USB on" of the display screen lights up and displays the output power;
- 4) After the AC circuit is turned on, the "AC on" of the display screen lights up and displays the output power;
- 5) The main control IC detects that the function is abnormal, will protect itself immediately, and the display screen displays the fault code:
  - W01:** battery high temperature protection
  - W02:** battery low temperature protection
  - W03:** AC short circuit protection
  - W04:** overload protection
  - W05:** low voltage protection

**LCD Screen ①** will enter sleep mode after **20 seconds** of inactivity (no new output load detected), and will "wake up" when inputting a charging cord or when any button is pressed.

## OPERATING INSTRUCTIONS

### CHARGING J500 Mini

Connect the provided AC Wall power adapter to **Input ⑥**, and allow J500Mini to fully charge prior to use, approx. 5-6 hours.

Connect the Anderson plug to the **Input ⑦**, and allow J500 Mini to fully charge prior to use, approx.

6-9 hours with the Solar Panel. Noted that the red part of the Anderson plug is positive, and the black part is negative. Please connect positive to positive and negative to negative to ensure using correctly.

When charging, the **LCD Screen ①** will be illuminated, and the LCD display will provide **Battery level Indicator H**, J500 Mini is fully charged when the level is 100%. It is recommended to fully charge it every 3 months to maintain the health of the battery pack.

## POWERING / CHARGING DEVICES WITH E300A

Select the type of outlet required by pressing the **Output ON/OFF Button A/D/E**. The output port will NOT function until the appropriate button is pressed to activate the port. When activated, the indicator on the button will illuminate green, indicating that the output(s) are active, and the LCD display will turn on and provide details on the charging output. The LCD Screen will automatically shut down when no outputs are activated.

J300 will enter sleep mode after **20 seconds** of inactivity (no new output load detected), and will "wake up" when inputting a charging cord or when any button is pressed.

**Press the ON/OFF button(s) to shut down the output(s) when not in use.**

### PASS-THROUGH CHARGING

The advanced battery management system of the J500 Mini allows it to charge a connected device via **DC outputs & USB outputs** while charge the J500 Mini.

**⚠ DO NOT CONNECTED DEVICE VIA AC OUTPUTS WHILE CHARGE THE J500 Mini.**

### OVERLOAD CONDITION

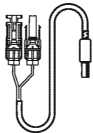
**If an overload condition occurs on the OUTPUT ports, J500 Mini will:**

- Automatically turn off **AC Outlets 13** power.
- The blue indicator light of **LCD Screen 1** still illuminated.
- **DC Outputs Status M** still the same status as usual.

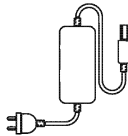
### Do following:

- Check the input charge cable. The port will be efficient when the input charge cable meets the specification outlined in the GENERAL SPECIFICATIONS section.
- Only charge J500 Mini with provided AC wall power adapter.

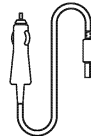
## ACCESSORY LIST



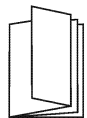
- 18V with MC4 connector cable



- 110V AC wall plug power adapter



- 12V Car Charger cable



- User Manual

**Recommend to use 120W Solar panel (not included).**

## CLEANING

Be sure that J500 Mini is disconnected from all input power sources and output devices. Use a clean, dry, soft-lint-free cloth to wipe down it. Remove any debris, dirt, or other blockages on both side vents. When cleaning debris from the side vents, do not allow the debris, dirt, or other blockages to enter the body of J500 Mini

**DO NOT use abrasive cleaners or solvents.**

**DO NOT use compressed air to clean side cooling vents, as this will force foreign particles into the internal circuitry.**

**⚠ To avoid the risk of electrical shock, DO NOT use metal objects to clean ports.**

## STORAGE

If storing for more than 1 month, charge completely before storage and recharge approximately every 3 months to avoid full discharge and possible damage.

Store indoors, in cool temperatures, mild humidity, and away from direct sunlight (See GENERAL SPECIFICATIONS section). Leaving in a vehicle or other confined spaces in extreme hot temperatures can lead to decreased service life, overheating, and fire. Extreme cold conditions below specific storage range can also harm J500 Mini performance and service life.

Keep away from corrosion chemicals and gases.

After taking out of storage, visually inspect to make sure J500 Mini and all accessories look satisfactory. This increase review the intake and exhaust side vents to ensure they are clear of debris. Allow J500 Mini to return to ambient conditions before recharging, or charging other devices

## ATTENTION

**Transportation:**J500 Mini complies with all legal requirements for transport of dangerous goods. The capacity of the lithium battery pack exceeds 100Wh. Based on international standards, if J500 Mini is transported by airplane, it must be transported in accordance with IATA standard packaging. IATA instructions and labeling requirements and the relevant declarations must be completed.

Not permitted on aircrafts

Avoid dropping

To preserve the battery lifespans, please use and recharge at least once every 3 months

Do not disassemble

Use original or certified charger and cables

It's not waterproof,do not expose to liquids

Avoid extreme temperature

Please dispose of batteries and electronic goods in accordance with local regulations

## TROUBLESHOOTING

### J500 Mini WILL NOT CHARGE OR OPERATE connected devices:

- Ensure that the **DC/USB/AC Output Ports** ② / ③ / ④ / ⑤ / ⑬ are activated by pressing the **Button(s) B & A/D/E** for the port(s) in use.
- Confirm the connected device is suitable for the J500 Mini by reviewing the output specifications provided in the GENERAL SPECIFICATIONS section.
- Confirm J500 Mini is charged by reviewing the **Battery Level Indicator H**.
- Verify the watt data displayed on the **Status Indicator I/J/K/L of LCD Screen** ① for overload condition.

### J500 Mini WILL NOT CHARGE:

- Confirm that the wall plug power adapter's cord is inserted fully into the **DC Input** ⑥ .
- Confirm that the AC wall plug power adapter is the charger provided with J500 Mini.
- If the input does not comply with the requirements located in the GENERAL SPECIFICATIONS section, the Low Watt range 0 to 10 may be displayed on **Input Status I of LCD screen** ① .

## MAINTENANCE

Recharge as needed. There are no pre-designated intervals at which to recharge as long as the J500 Mini is being used regularly. Avoid discharging completed on a regular basis, as this can impact overall life.


Regularly inspect all ports and wall charger for any debris, dirt, damage and corrosion.

**DO NOT** attempt to fix.

**DO NOT** cover the J500 Mini with towels, clothing or other items.

Regularly observe if the side vents are collecting dirt or dust, and clean following cleaning procedures noted in manual.

## DISPOSAL/RECYCLE

-  Do not place equipment and its accessories in the trash. Items must be properly disposed of in accordance with local regulations.

## WARRANTY

- Do not put the product in water.
- Do not heat the product or get close to the fire source! Do not disassemble or transform the product without authorization! Do not hit the product hard.
- It is forbidden to use or place the battery under high temperature (hot sunshine or very hot car), otherwise it may cause overheating, fire, function failure and short service life of the battery.
- Do not disassemble the battery.
- Do not short circuit the battery.
- Do not use a non dedicated charger to charge the battery, which will cause danger.
- Do not directly touch the leaking battery. The leaking electrolyte will cause skin discomfort. In case the electrolyte enters the eyes, rinse it with clean water as soon as possible, do not rub the eyes, and send it to the hospital for treatment quickly.
- If the battery has been stored for more than three months, the customer is requested to charge and discharge the product once with a charger within the specified parameter range.